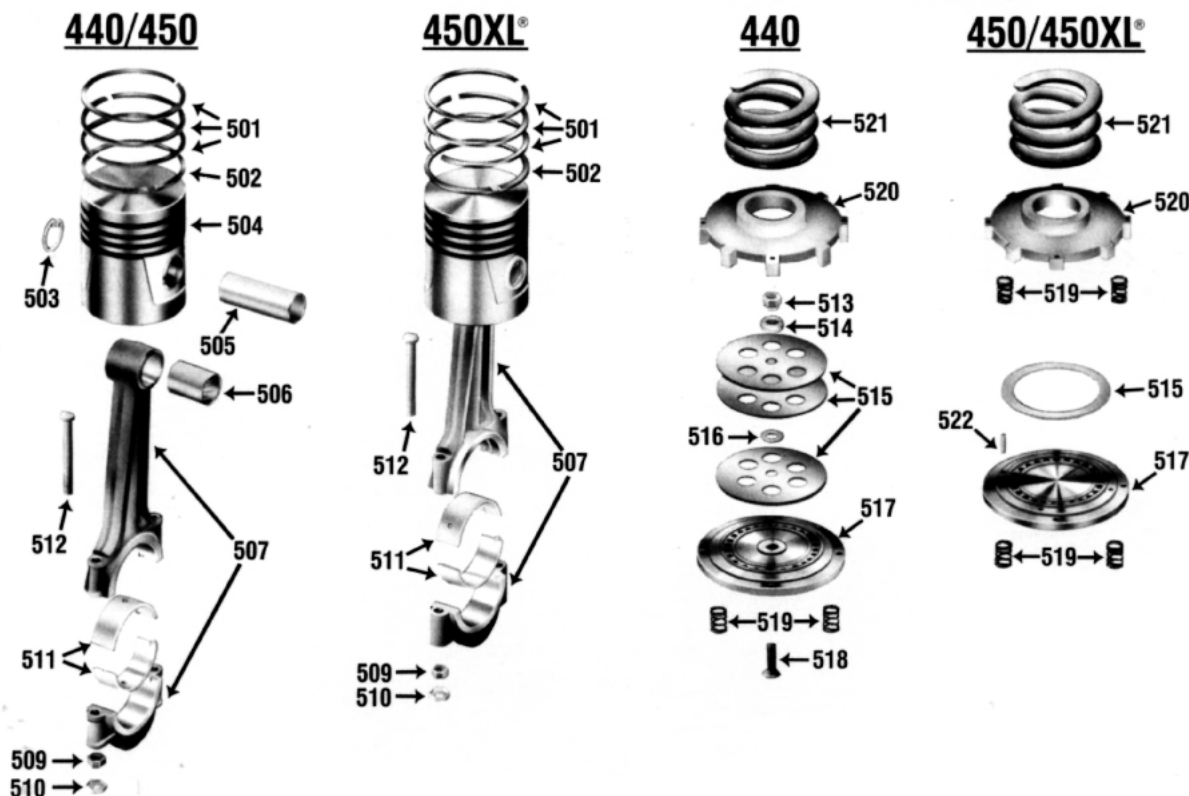


PISTON, CONNECTING ROD AND SAFETY HEAD



Reference Number	440	Vilter Part Number	450	450XL	Description
501	31989M	31989M	31989M		Piston Ring, Compression
502	31989N	31989N	31989N		Piston Ring, Oil
503	33244A	33244A	-		Snap Ring, Piston Pin
501-505	KT213	KT213	-		Piston, Rings, and Pin Kit
501-512	KT478	KT478	KT573		Piston, Rings, and Connecting Rod Assembly
506-512	KT463	KT463	-		Connecting Rod with Bearings
506	31896B	31896B	-		Bushing, Piston Pin
507	See Kits Above				Connecting Rod
509	2027A	2027A	2027A		Nut, 3/8" UNF, Hex.
510	2028A	2028A	2028A		Nut, 3/8" Lock
511	35086ST	35086ST	KT575		Bearing Set, Connecting Rod - Standard
511	41726ST	41726ST	KT399A		Bearing Set, Connecting Rod - 0.015" Undersize
511	35214ST	35214ST	KT399B		Bearing Set, Connecting Rod - 0.030" Undersize
512	31955A	31955A	31955A		Bolt, Connecting Rod
513-518	A32695C	-	-		Safety Head Assembly - Ammonia

Reference Number	440	Vilter Part Number	450	450XL	Description
513-518	A32695D	-	-		Safety Head Assembly - Halocarbon
513	1776B	-	-		Nut 3/8" Lock Valve Retaining
514	31990B	-	-		Washer, Diaphragm Valve
515	31939B	-	-		Valve, Diaphragm Discharge
515	-	35080SS	35080SS		Plate, Discharge Valve
516	31990A	-	-		Spacer, Diaphragm Valve
517	33531B	-	-		Safety Head, Ammonia
517	33532B	-	-		Safety Head, Halocarbon
517/522	-	A35082A	A35082A		Safety Head & Pins Assembly - Ammonia
517/522	-	-	A35272A		Safety Head & Pins Assembly - Halocarbon
518	31964A	-	-		Screw, Valve Retaining - 60° (Old Style)
518	1527B	-	-		Screw, Valve Retaining - 82°
519	33803A	33803A	33803A		Spring, Valve
520	31941B	-	-		Yoke, Safety Head
520/522	-	KT543	KT543		Safety Head Yoke and Pin Kit
521	31882A	35252A	35252A		Spring, Safety Head
522	-	1712F	1712F		Pin, 3/16" X 11/16" Roll