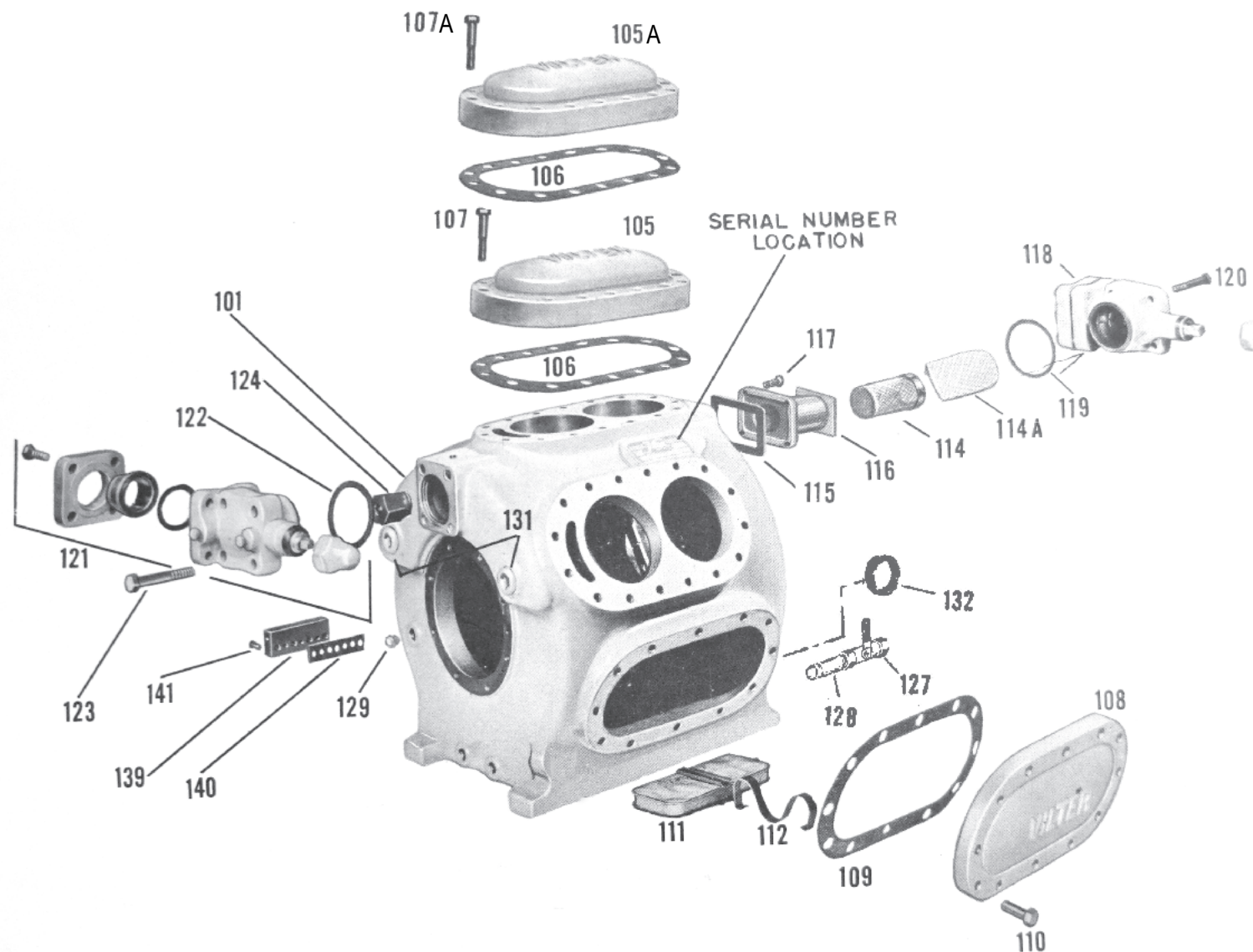


BASIC FRAME AND COVERS



ITEM	DESCRIPTION	VILTER PART #S	
		Cyl	Model 300 Series
101	Frame	3&4	34086A
101	Frame	5&6	34087A
101	Frame	7&8	34088A
105	Cylinder Cover (no water) 320 Model	All	32648A
105	Cylinder Cover (w/water) 320 Model	All	32648B
105A	Cylinder Cover (water) 320 Model	All	32893A
105	Cylinder Cover (no water) 350 Model	All	34830A
105	Cylinder Cover (w/water) 350 Model	All	34830B
105A	Cylinder Cover (water) 350 Model	All	32893A
106	Gasket	All	33654A
107	Screw Hex 5/8"x 2.5" 320 Model	All	13152G
107	Screw Hex 5/8"x 3" 350 Model	All	13152J
107A	Screw Hex 5/8"x 4.5" 320 Model	All	13152P
107A	Screw Hex 5/8"x 5" 350 Model	All	13152Q
108	Hand Hole Cover	All	32703A
109	Hand Hole Cover Gasket	All	33715A
110	Screw Hex	All	2796U
111	Screen Crankcase Oil	All	A33953A
112	Spring Crankcase Oil	All	35007A

ITEM	DESCRIPTION	VILTER PART #S	
		Cyl	Model 300 Series
114	Screen Suction	3	A33776A
114	Screen Suction	4	A33777A
114	Screen Suction	5-7	A33778A
114	Screen Suction	8	A33779A
114A	Bag Screen Suction	3	A33772A
114A	Bag Screen Suction	4	A33773A
114A	Bag Screen Suction	5-7	A33774A
114A	Bag Screen Suction	8	A33775A
115	Gasket Suction	All	33767A
116	Suction Strainer	3	32853A
116	Suction Strainer	4	32854A
116	Suction Strainer	5-7	32855A
116	Suction Strainer	8	32856A
117	Screw Hex Head Cap	All	13282F
122	Gasket Discharge Stop Valve	5&6	33717A
122	Gasket Discharge Stop Valve	5&6	33717B
122	Gasket Discharge Stop Valve	7&8	33717C
123	Screw, Hex Head Cap	5-8	13152R
124	Safety Valve assembly	3-8	1721A

ITEM	DESCRIPTION	VILTER PART #S	
		Cyl	Model 300 Series
127	Valve, Oil Drain	3-8	1956A
128	Nipple, Pipe 1/2" x 2" lg. Sch. 80	3-8	13189C
129	Plug, Hex Head Pipe 1/2"	3-8	13264D
130	Plug, Hex Head Pipe 1"	3-8	13264F
131	Plug, Countersunk M.I. Pipe 1-1/4"	3-8	1605G
132	Sight Glass, Oil	3-8	1484A
132	Sight Glass, Oil	3-8	1484B
137	Connection, Oil Suction (Internal-Not Shown)	3-8	33685C
138	Oil Line, Internal (Not Shown)	3-8	33945A
139	Manifold, Capacity Control (Call Vilter Parts Department for Assembly)	Call	Call
139A	Gasket, Manifold (3-8) Voltage 115	Kt 1052	Kt 1052
139B	Gasket, Manifold (3-8) Voltage 230	Kt 1053	Kt 1053
140	Gasket, Manifold	3-4	33658A
140	Gasket, Manifold	5-6	33658B
140	Gasket, Manifold	7-8	33658C
141	Screws, Hex Head Cap 3/8" 16 x 1 1/2" lg.	3-8	13149E

*Denotes Compressors with maximum cylinder unloading.